

RS 100L

104189

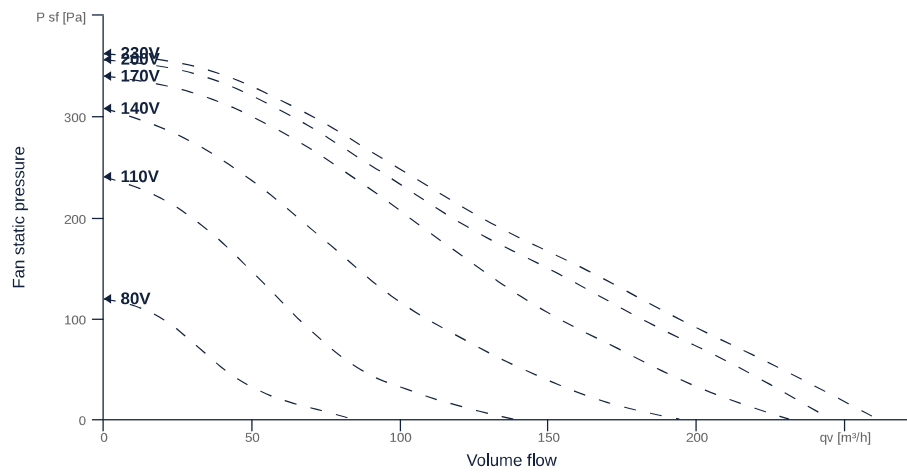


- Compact centrifugal fan
- Backward curved impeller
- Sheet steel housing, RAL 7035, powder coated
- Robust single phase AC motor, steplessly controllable
- Conveyed medium temperature up to 60 °C in continuous operation
- Integrated thermal switch



FAN CURVES

Name	Value	Unit
Volume flow	0	m ³ /h
Pressure	0	Pa



to the product detail page

GENERAL DATA

Name	Value	Unit	Formula symbol
Labeling	none		
Duct size	-		WxHduct
Pipe connection size (DN)	DN100		DN
Rated voltage (entire device)	230	V	U _{rated}
Phases (entire device)	1~		phase
Electrical protection (entire device)	6 A		fuse
Housing material	Steel		matcasing
Impeller material	Plastic		matimpeller
IP-protection class (casing)	IPX4		IPcasing
IP-protection class (entire device)	IPX4		IPcompl
IP-Protection class (terminal box)	IP44		IPtbox
Weight	2.55	kg	m
Fan type	Radial		Fantype
Category / Installation situation	B		cat

ERP DATA (LOT 6)

Name	Value	Unit	Formula symbol
Rating	Product is not compliant		

MAXIMAL DATA

Name	Value		Unit	Formula symbol
	50 Hz	60 Hz		
Max. power consumption (device)	67	81	W	P _{ed, max}
Max. operating current (device)	0.3	0.38	A	I _{ed, max}
Max. speed	2810	3270	1/min	n _{max}
Max. stat. efficiency	10.4	11.5	%	η _{es}
Max. fan efficiency	11.2	12.5	%	η _e
Max. flowrate	260	280	m³/h	Q _{v, max}
Max. stat pressure	360	490	Pa	p _{sf, max}
Max. medium temperature	60	70	°C	T _{m, max}
Max. environment temperature	60	70	°C	T _{amb, max}
Min. environment temperature	-25	-25	°C	T _{amb, min}
Min. voltage	80	80	V	U _{min}
Stall current	0.4	0.4	A	I _{LRA}



to the product detail page

MOTOR DATA

Name	Value		Unit	Formula symbol
	50 Hz	60 Hz		
Rated frequency (device)		50		f
Motor type		AC 1~		phase
Control type		stepless-controlled		ctrltype
Installation type		ORM (Out)		install
Rotation direction		right		rotation
Isolation class		ISO F		ISOclass
Motor-protection		TMI		protectmotor
Protection class		IP33		IPmotor
Is pole-changeable		No		polexch
Type of power supply		AC 1~		pwrsupmotor
Capacity capacitor		1	µF	Ccond
Voltage capacitor		450	V	VUcond
Number of poles (1)		2.000000		num polesw1
Rated voltage	230		V	Urated, f1
Rated current	0.34		A	Irated, f1
Shaft power	80		W	Pout, f1
Speed	2694		1/min	nr1
UL-Certification motor		None		ULcert

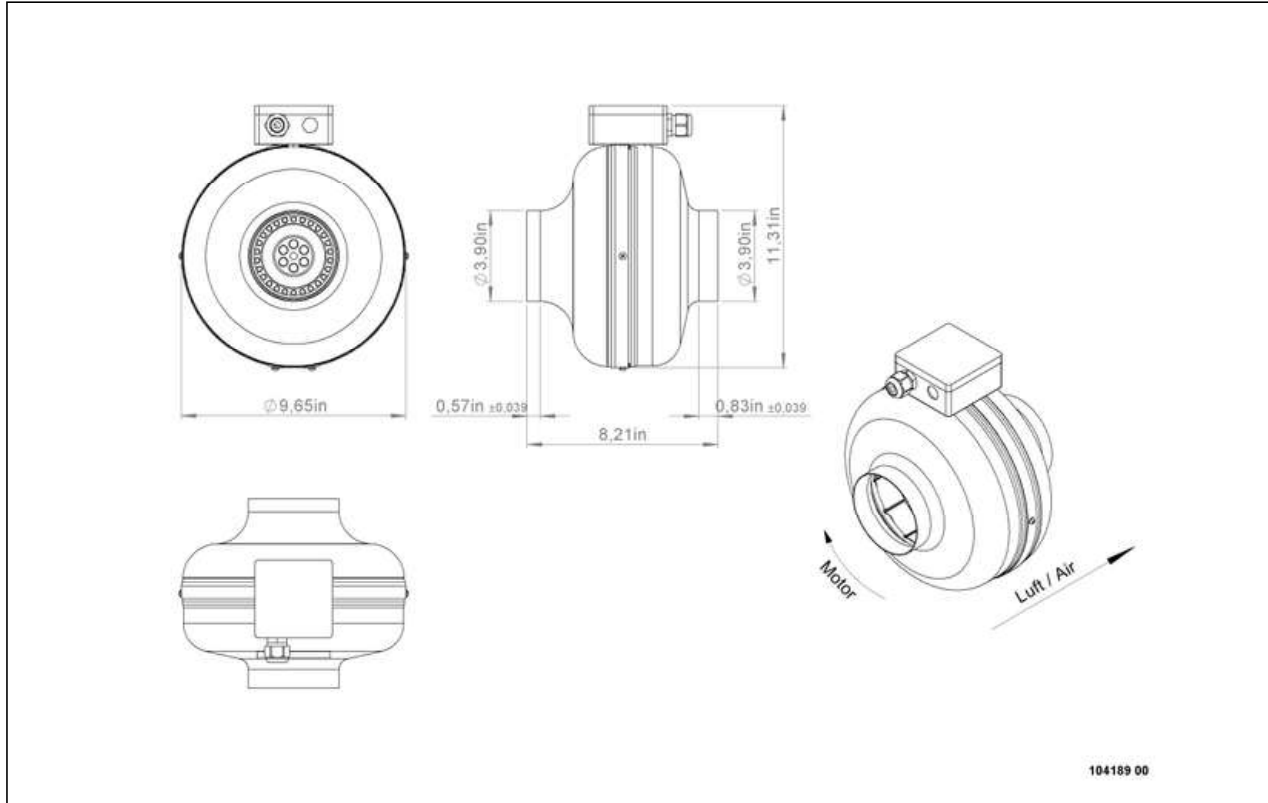


RS 100L

104189

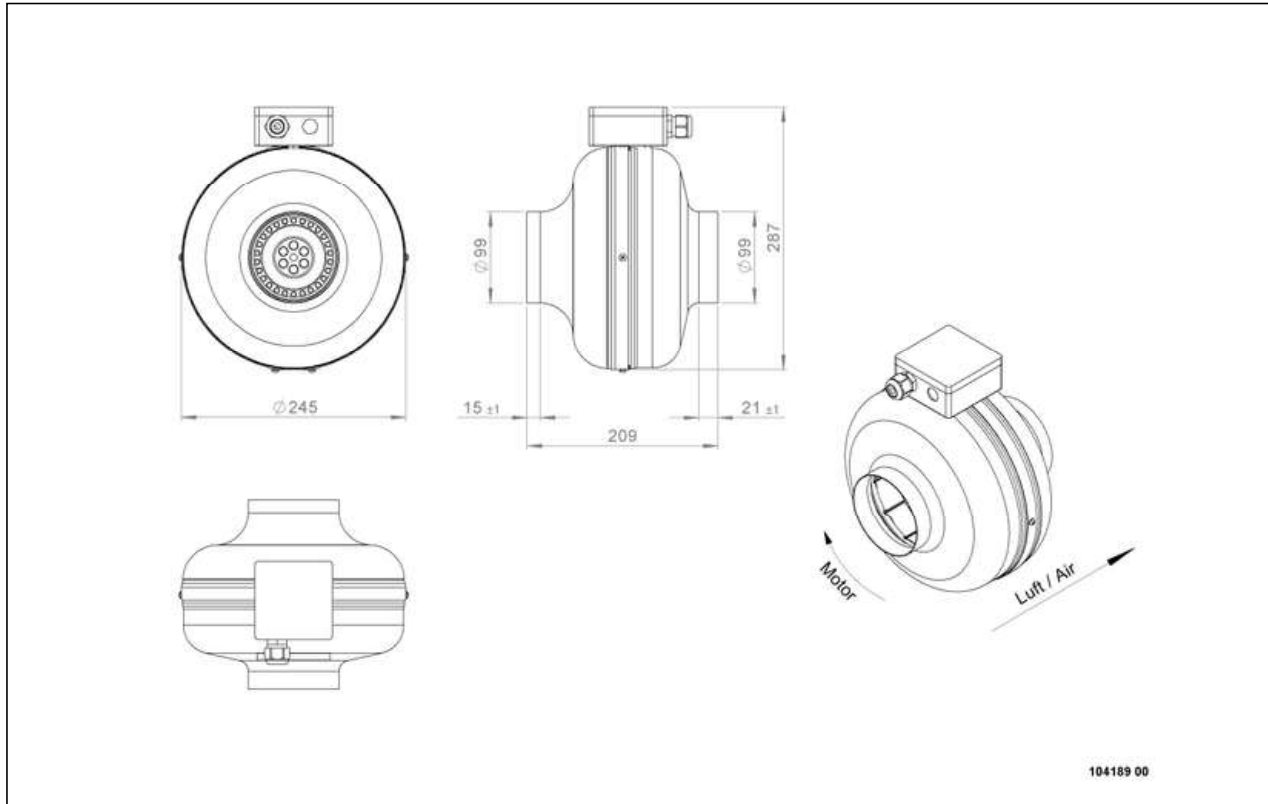


CIRCUIT DIAGRAMS / DIMENSIONAL DRAWINGS



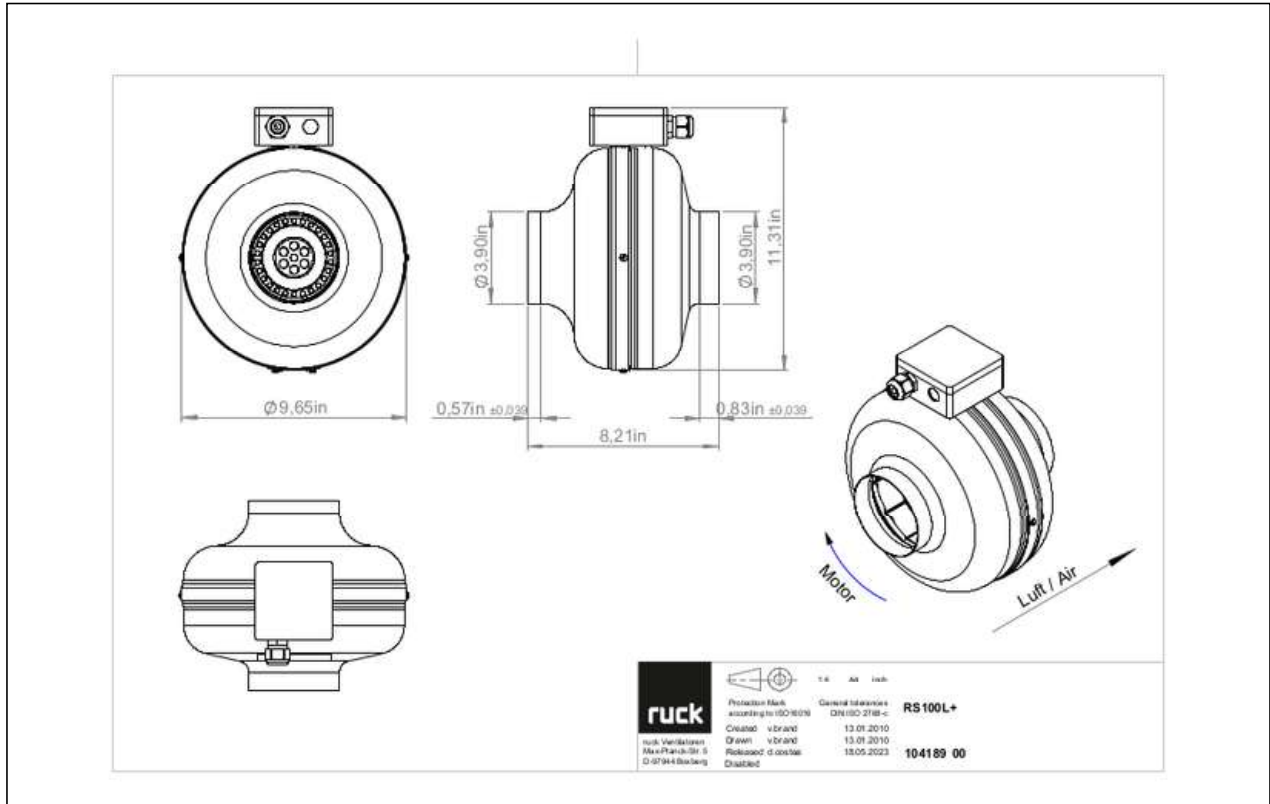
RS 100L

104189



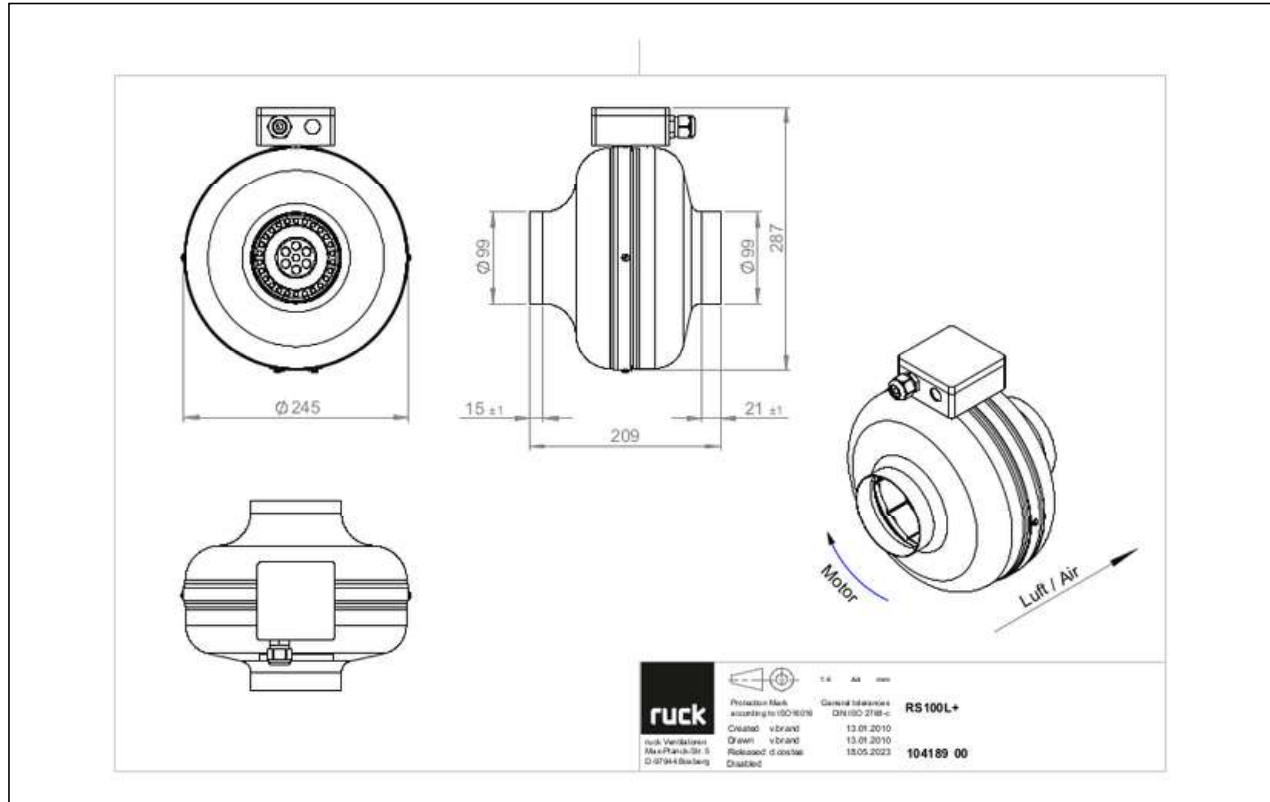
RS 100L

104189



RS 100L

104189



RS 100L

104189

